

24kV POLYMERIC INSULATED
COLD-SHRINKABLE
CABLE ACCESSORIES





AEP-CSI/AEP-CSO
Cold Shrink Indoor/Outdoor Termination
For XLPE or EPR insulated, 1 or 3 core cables, with Al or Cu Conductor

Shelf life & storage:

AEP-CSI/AEP-CSO Cold Shrink Indoor/Outdoor Termination has long shelf life when stored in a humidity controlled storage (-10degC to 40degC and <75% relative humidity)

Features :
Safety

Without using torches or any auxiliary tools.

Stability

The geometric stress cone and insulator of cold-shrink terminations keep the active pressure and steady long term operation cable

Easy Installation

Pull out the plastic string from silicone rubber part, the silicon will tightly shrink on the need position, which will reduce installation defect.

Material performance (LSR)

Excelent performance in anti-flouring, ageing resistance, hydrophobicity, hydrophobicity transference and cold resistance.

Wide usage

Applying to high-altitude area, cold area, humid are, salt mist area and seriously polluted area

Small size

Smallish cold-srink terminations can minimize efectively



AEP-CSJ
Cold Shrink Joint
For XLPE or EPR insulated, 1 or 3 core cables, with Al or Cu Conductor

Shelf life & storage:

AEP-CSJ Cold Shrink Joint has long shelf life when stored in a humidity controlled storage (-10degC to 40degC and <75% relative humidity)



PT. ARLISCO ELEKTRIKA PERKASA

Komplek Pergudangan Bandara Benda Permai
Blok E No. 17 - 19, Jl. Raya Perancis No. 68
Tangerang 15125 - Indonesia

Tel. : (62-21) 5592351 - 5592357 / Fax. : (62-21) 5592350
Email : info@arlisco.co.id / Website : www.arlisco.co.id

Key technical performances:

Standard	IEC 60502				
	6/10(12)kV	8.7/15(17.5)kV	12/20(24)kV	18/30(36)kV	26/35(40.5)kV
Voltage classes	6/10(12)kV	8.7/15(17.5)kV	12/20(24)kV	18/30(36)kV	26/35(40.5)kV
Partial discharge test at ambient temperature	10kV, <10pC	15kV, <10pC	20kV, <10pC	30kV, <10pC	45kV, <10pC
AC withstand voltage test	27kV 5min	39kV 5min	54kV 5min	81kV 5min	117kV 5min
Impulse voltage withstand	±75kV each polarity 10 times	±95kV each polarity 10 times	±125kV each polarity 10 times	±170kV each polarity 10 times	±200kV each polarity 10 times

AEP CONNECTIVITY

Mechanical Connectors, Lugs & Repair Sleeves
for Medium Voltage Cable Accessories
Up to 42kV



Features & benefits

- Wide application range
- Compact design
- Can be used with almost every type of conductor and material
- Torque-controlled shear-head bolts guarantee a good electrical contact
- Easy installation with standard socket spanner
- Pre-engineered design for perfect fit in medium voltage cable accessories up to 42 kV
- Tested according to IEC 61238-1 class A

General description

Mechanical connectors, lugs and repair sleeves are designed for use in low and medium voltage applications. Only three sizes cover conductor sizes from 25 mm² to 400 mm²

All products consist of a tin-plated body, shear-head bolts and inserts for small conductor sizes.

Body

Connector and lug bodies are made of a high-tensile, tin-plated aluminium alloy. The internal surfaces of the conductor holes are grooved.

Connectors are chamfered at the edges and available with or without oil barrier (as blocked and unblocked types) depending on the application requirements. Lugs are suitable for outdoor and indoor applications and are available with different palm hole sizes.



Contact bolts

Made of a special aluminium alloy, these contact bolts are double shear-head bolts with hexagon heads. The bolts are treated with a highly lubricating agent and equipped with a special contact ring. Contact bolts are irremovable once their heads have been sheared off.



Inserts

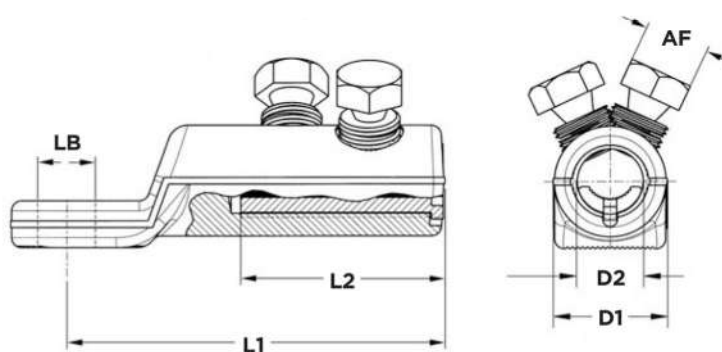
Lugs and connectors are provided with inserts for smaller conductors.

These inserts have lengthwise striations and a positioning guide.



Ordering information - Dimensions - Selection tables

Mechanical lugs

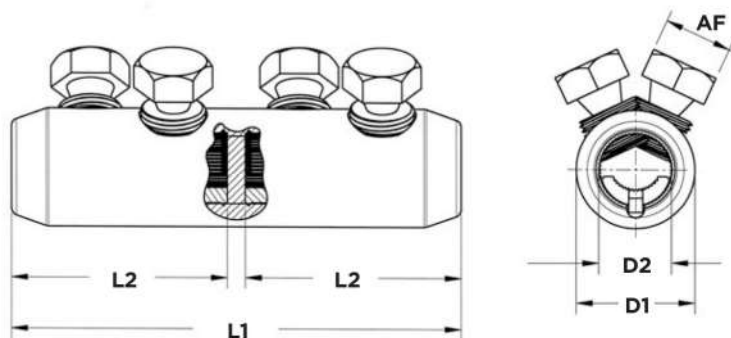


Dimensions

Product reference	Cross-sectional range mm ²	Palm hole diameter mm LB	Dimensions mm				Contact bolts	
			L1	L2	D1	D2	Quantity	Head size AF mm
AEP-L-95/240-13	95-240	13	112	60	33	20	2	19
AEP-L-95/240-17	95-240	17	112	60	33	20	2	19
AEP-L-120/300-13	120-300	13	115	65	37	24	2	22
AEP-L-120/300-17	120-300	17	115	65	37	24	2	22

Ordering information - Dimensions - Selection tables

Mechanical connectors



Dimensions

Product reference	Cross-sectional range mm ²	Blocked	Dimensions mm				Contact bolts	
			L1	L2	D1	D2	Quantity	Head size AF mm
AEP-C-95/240	95-240	yes	125	60	33	20	4	19
AEP-C-120/300	120-300	yes	140	65	37	24	4	22

